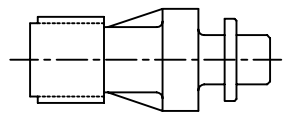
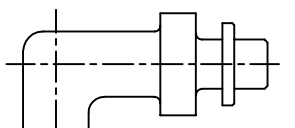
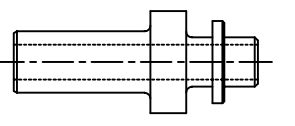


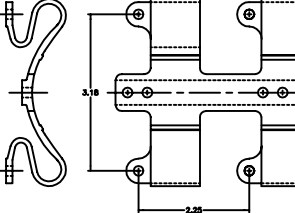
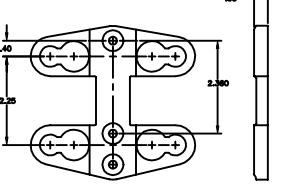
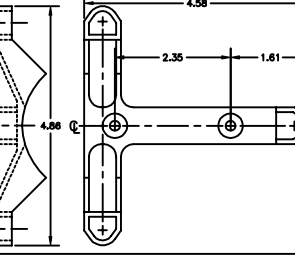
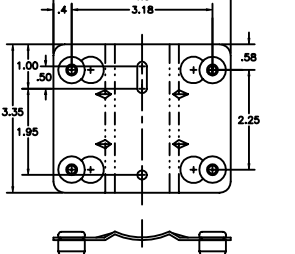
THE INFORMATION CONTAINED HEREON IS PROPRIETARY AND CONFIDENTIAL TO AQUATEC WATER SYSTEMS, INC. AND SHALL NOT BE USED OR DISCLOSED IN WHOLE OR IN PART WITHOUT FIRST OBTAINING THE WRITTEN PERMISSION OF AQUATEC WATER SYSTEMS, INC.

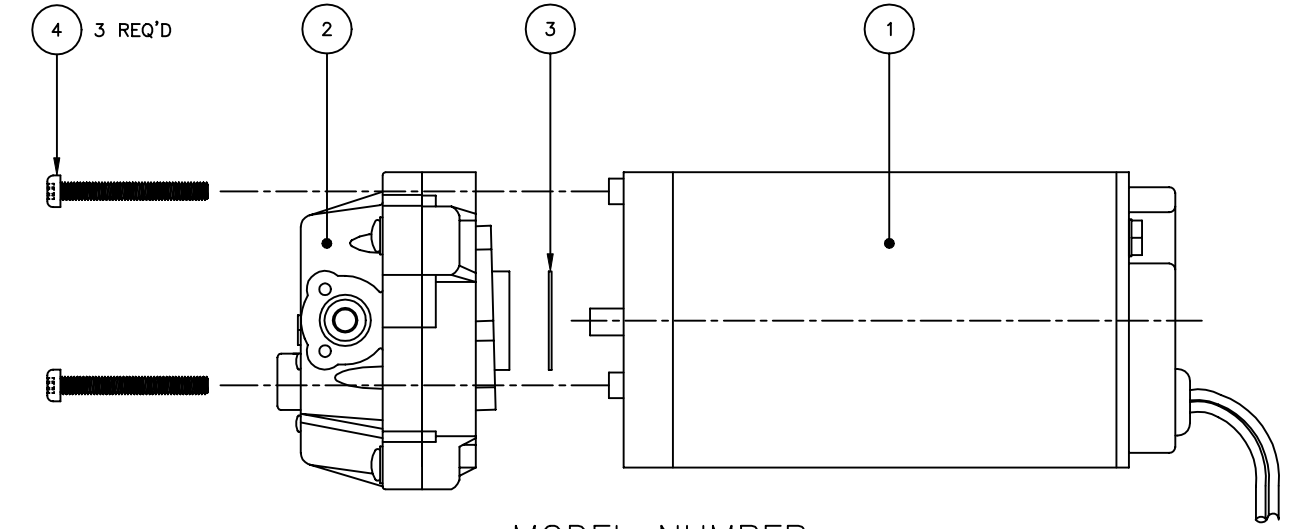
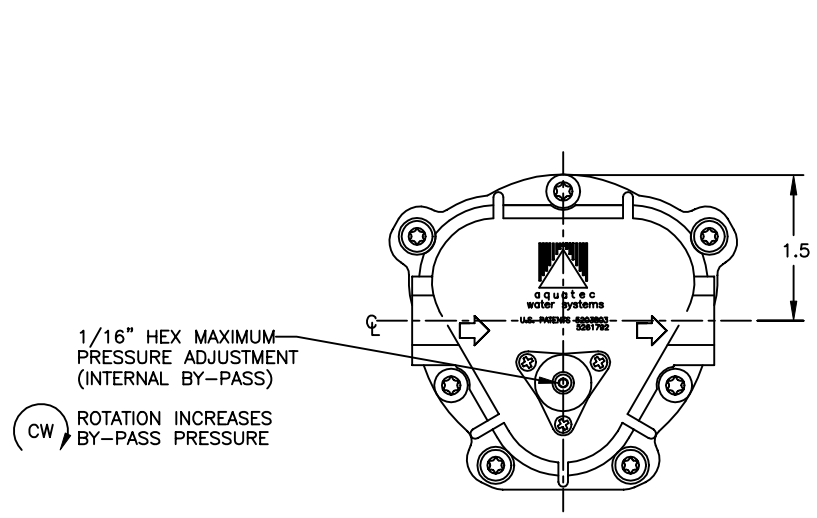
REVISIONS				
REV	DESCRIPTION	DATE	DRAWN	APPROVED
N	ECO #1630, UPDATE OPTIONS	01/28/00	M.Z.	

### FITTING OPTIONS

	DESCRIPTION: 1/4" STRAIGHT COMPRESSION FITTING CONNECT TO: 1/4" TUBE PART NO.: 51-103 KIT NO.: 25-031 NOTES: KIT INCLUDES FITTING, GRIPPER NUT, O-RING, AND SCREWS INDIVIDUALLY PACKAGED.
	DESCRIPTION: 1/4" ELBOW COMPRESSION FITTING CONNECT TO: 1/4" TUBE PART NO.: 51-102 KIT NO.: 25-032 NOTES: KIT INCLUDES FITTING, GRIPPER NUT, O-RING, AND SCREWS INDIVIDUALLY PACKAGED.
	DESCRIPTION: 1/4" STEM FITTING CONNECT TO: 1/4" JOHN GUEST PUSH-ON FITTING PART NO.: 51-162-01 KIT NO.: 25-029 NOTES: FITTING KIT INCLUDES FITTING, O-RING, AND SCREWS INDIVIDUALLY PACKAGED.

### MOUNTING OPTIONS

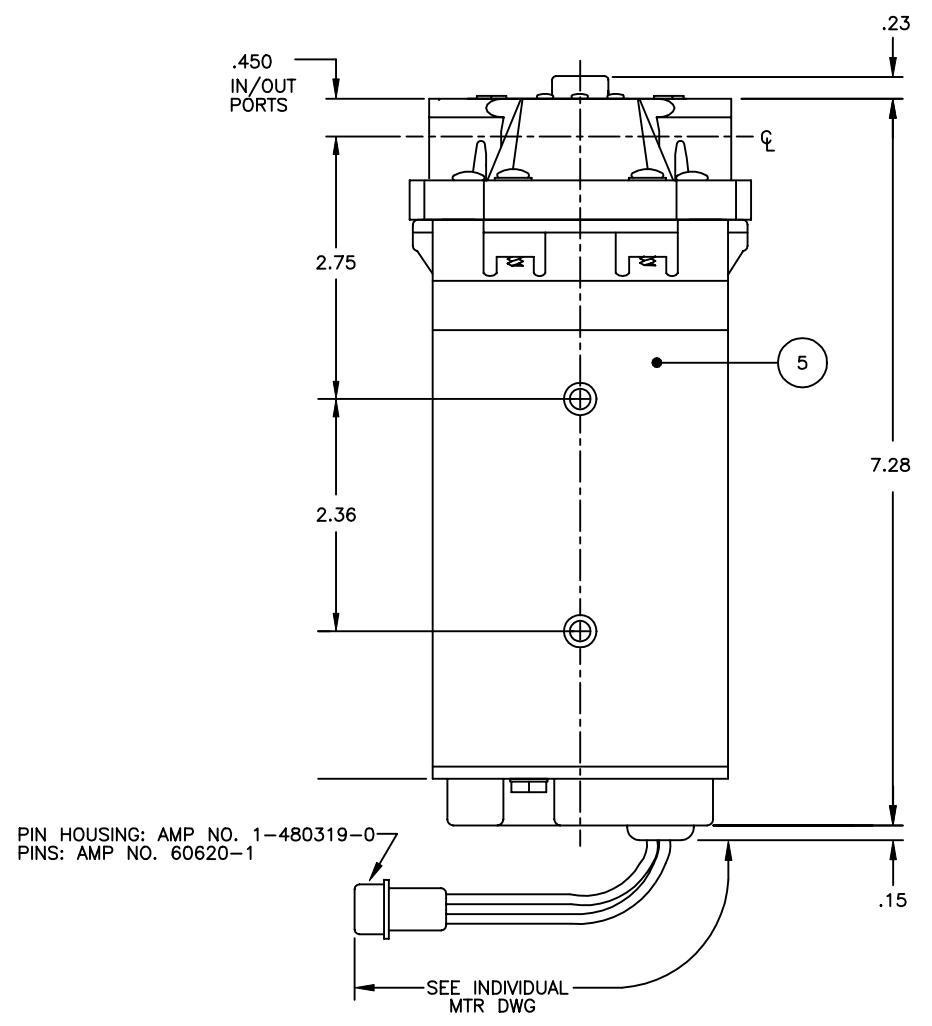
	DESCRIPTION: FLEXIBLE MOUNTING BRACKET PART NO.: 51-109 KIT PART NO.: 25-035 NOTES: STANDARD
	DESCRIPTION: UNIVERSAL MOUNTING BRACKET PART NO.: 51-104 KIT PART NO.: 25-033 NOTES:
	DESCRIPTION: TEE BAR MOTOR MOUNT PART NO.: 51-079 KIT PART NO.: 25-034 NOTES:
	DESCRIPTION: STEEL MOUNTING BRACKET PART NO.: 50-047-01 KIT PART NO.: 25-150 NOTES:



### MODEL NUMBER

(CDP) 68XX-XXXX-XXXX

- PRODUCT**  
CDP = CONTINUOUS DUTY PUMP
- SERIES**  
68 = LFO SERIES BOOST PUMP  
98 = ENGINEERING SPECIAL
- PORTS**  
2 = OPEN 1/4" PORT  
4 = JOHN GUEST 1/4" CARTRIDGE  
5 = JOHN GUEST 3/8" CARTRIDGE
- CAM**  
0 = 2"  
1 = 2.5"
- PRESSURE CONTROL**  
2 = BY-PASS, ADJUSTABLE
- PRESSURE SETTING**  
A = 30 PSI  
B = 40 PSI  
C = 45 PSI  
D = 50 PSI  
E = 60 PSI  
F = 70 PSI  
G = 80 PSI  
H = 90 PSI  
I = 100 PSI  
J = 110 PSI  
K = 120 PSI  
L = 130 PSI  
M = 140 PSI  
N = 150 PSI  
P = 160 PSI  
V = 65 PSI  
S = 200 PSI  
W = 75 PSI
- MATERIALS (PUMPHEAD, VALVES, DIAPHRAGM)**  
0 = NYLON, EPDM, SANTO  
1 = POLYPRO, EPDM, SANTO  
A-Z = CUSTOM MATERIALS
- MOUNTING BRACKET**  
0 = NO MOUNTING KIT  
1 = FLEX MOUNT  
2 = ALUMINUM MOUNT  
3 = UNIVERSAL MOUNT  
4 = STEEL MOUNT  
7 = TEE MOUNT  
A-Z = CUSTOM MOUNT
- MOTOR**  
33 = 12 VDC 420 RPM  
55 = 24 VDC 320 RPM  
20 = 24 VDC 420 RPM  
67 = 36 VDC 420 RPM  
50 = 24 VAC/DC 420 RPM  
22 = 24 VAC 420 RPM
- MOTOR FEATURES**  
0 = PLAIN END BELLS, SLEEVE BRG, NO EMI, NOT ROTATED  
A = BLACK END BELLS, SLEEVE BRG, NO EMI, NOT ROTATED  
B = BALL BEARING  
C = EMI/RFI PROTECTION  
D = FRONT END BELL ROTATED 180°  
E = B AND C  
F = B AND D  
G = C AND D  
H = B, C AND D  
S THRU Z = CUSTOM (SEE DRAWING)
- APPLICATIONS (RECOMMENDED MATERIAL CODE)**  
0 = UNKNOWN (1)  
1 = INDUSTRIAL WATER (0)  
2 = BEVERAGE WATER (1)  
3 = WATER TREATMENT - PRE-FILTER (0)



QTY	DESCRIPTION	PART NO.	ITEM
1	LABEL, CDP 6800 SERIES	40-XXX	5
3	SCREW, #10-18 X 1.5", HI-LO	11-120	4
1	WASHER, THRUST	10-230	3
1	PUMP HEAD ASSEMBLY	68-XXXX	2
1	MOTOR ASSEMBLY	70-1XX-XX	1

MATERIAL		APPROVALS		DATE	
NOTED		E.G.	7/8/99		
FINISH		CHECKED		DESIGNED	
UNLESS OTHERWISE SPECIFIED DIMENSIONS ARE IN INCHES AT 60°F TOLERANCES ARE: FRACTIONS: DECIMALS: ANGLES: ±1/64 .001 .010 ±1/2 .001 .005	© CONCENTRICITY .005 T.I.R. J. PERPENDICULARITY .005/IN. ANGULAR DING FOR CHAMPS & CHAMPS ±2° RILEY BOX .015 TO .035 BREAK CORNERS .005 TO .015 R. OR CHAMF FINISH: A-125 UNLESS NOTED OTHERWISE				
GEOMETRIC SYMBOLS PER ANSI-Y14.5	DO NOT SCALE DRAWING				

SIZE	SCALE	PART/DWG NO.	REV
D	NONE	68XX-XXXX-XXXX	N

PRODUCT CODE	USED ON	APPLICATION
CAD# 68XX.DWG		

**AQUATEC WATER SYSTEMS INC.**  
17422 Pullman, St., Irvine, Ca. 92614  
**MOTOR/PUMP ASSEMBLY, MATRIX, 6800 SERIES**