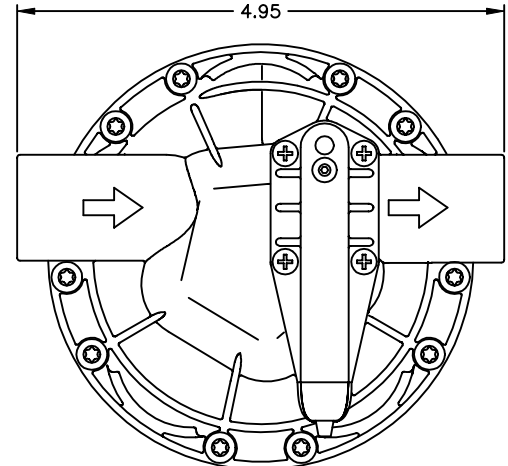
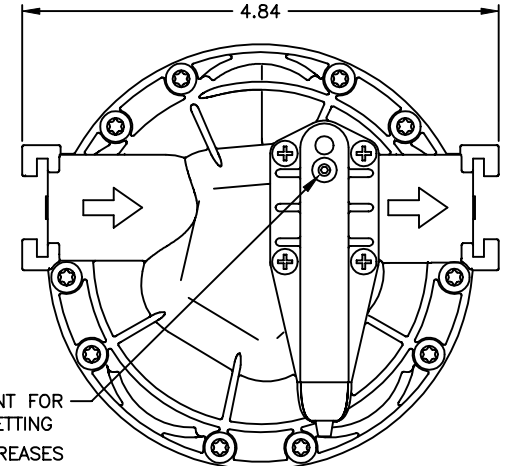


THE INFORMATION CONTAINED HEREON IS PROPRIETARY AND CONFIDENTIAL TO AQUATEC WATER SYSTEMS, INC. AND SHALL NOT BE USED OR DISCLOSED IN WHOLE OR IN PART WITHOUT FIRST OBTAINING THE WRITTEN PERMISSION OF AQUATEC WATER SYSTEMS, INC.

| REVISIONS | | | | |
|-----------|-----------------------------------|----------|-------|----------|
| REV | DESCRIPTION | DATE | DRAWN | APPROVED |
| A | ECO #1411, RELEASE FOR PRODUCTION | 4/27/99 | E.G. | |
| B | ECO #1526, CHANGE NUMBER SYSTEM | 7/28/99 | E.G. | |
| C | ECO #1535, ADD MOTOR 59 | 8/17/99 | E.G. | |
| D | ECO #1569, UPDATE OPTIONS | 11/30/99 | E.G. | |
| E | ECO #1628, UPDATE OPTIONS | 12/4/99 | E.G. | |
| F | ECO #1648, ADD 4 DEG CAM | 01/28/00 | M.Z. | |

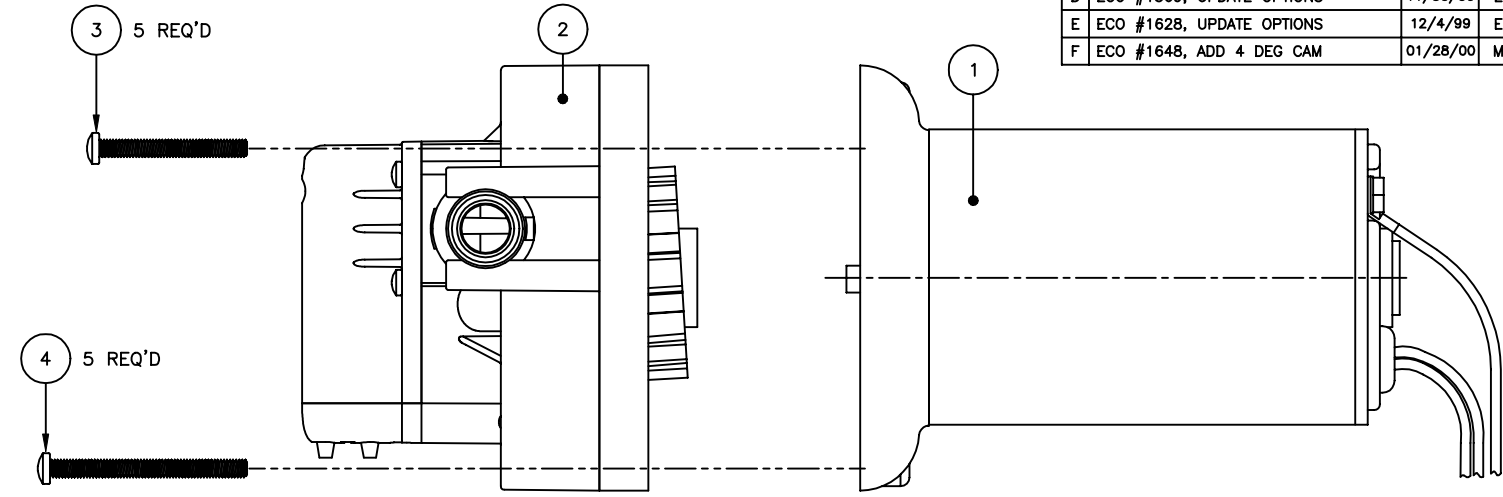


(551X-XXXX-XXXX)



(550X-XXXX-XXXX)

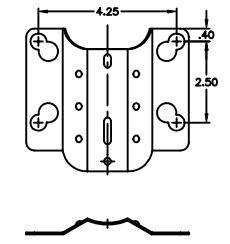
1/16" HEX ADJUSTMENT FOR PRESSURE SWITCH SETTING
 (CW) ROTATION INCREASES SWITCH PRESSURE



MODEL NUMBER
 55XX-XXXX-XXXX

- SERIES**
 55 = SUPER FLOW PUMP
 95 = ENGINEERING SPECIAL
- PORTS**
 0 = QUICK DISCONNECT PORTS
 1 = 1/2" FEMALE NPT PORTS
- CAM**
 0 = 2"
 1 = 2.5"
 2 = 3"
 3 = 3.5"
 4 = 4.0"
- PRESSURE CONTROL**
 0 = NO CONTROL (WAIVER REQUIRED)
 1 = PRESSURE SWITCH, ADJUSTABLE
 3 = PRESSURE SW AND MTR CONTROLLER (24V)
 4 = PRESSURE SW AND MTR CONTROLLER (12V)
- PRESSURE SETTING**
 0 = NONE - NO CONTROL
 A = 30 PSI
 B = 40 PSI
 C = 45 PSI
 D = 50 PSI
 E = 60 PSI
 F = 70 PSI
 V = 65 PSI
- MATERIALS (PUMPHEAD, VALVES, DIAPHRAGM, O-RINGS)**
 0 = NYLON, EPDM, SANTO, NITRILE
 1 = POLYPRO, EPDM, SANTO, NITRILE
 2 = NYLON, SANTO, SANTO, NITRILE
 3 = POLYPRO, SANTO, SANTO, NITRILE
 4 = NYLON, BUNA N, SANTO, NITRILE
 5 = POLYPRO, BUNA N, SANTO, NITRILE
 6 = NYLON, VITON, SANTO, VITON
 7 = POLYPRO, VITON, SANTO, VITON
 8 = NYLON, VITON, GEOLAST, VITON
 9 = POLYPRO, VITON, GEOLAST, VITON
- APPLICATIONS (RECOMMENDED MATERIAL CODE)**
 0 = UNKNOWN (1)
 1 = INDUSTRIAL WATER (0)
 2 = BEVERAGE WATER (1)
 3 = WATER TREATMENT - PRE-FILTER (0)
 4 = CARBONATOR (0)
 5 = WPS - MARINE & RV (1)
 6 = WASHDOWN - MARINE (4)
 7 = AG SPRAYING (7)
 8 = ROAD EQUIPMENT (4)
 9 = PETROLEUM SOLVENTS (8)
 A-Z = CUSTOM MATERIALS
- MOUNTING BRACKET**
 0 = NO MOUNTING KIT
 6 = STEEL, POWDERCOAT, BLACK (STD)
 A-Z = CUSTOM MOUNT
- MOTOR**
 Δ 66 = 12 VDC 1600 RPM
 Δ 63 = 12 VDC 2200 RPM
 Δ 35 = 12 VDC 2400 RPM
 Δ 59 = 24 VDC 1000 RPM
 Δ 72 = 24 VDC 1650 RPM
 Δ 73 = 24 VDC 2100 RPM
 Δ 57 = 115 VAC 1200 RPM
 Δ 58 = 115 VAC 1600 RPM
 Δ 52 = 115 VAC 2100 RPM
 Δ 65 = 115 VAC 2200 RPM
 Δ 60 = 115 VAC 2400 RPM
 Δ 71 = 230 VAC 1600 RPM
 Δ 70 = 230 VAC 2200 RPM
- MOTOR FEATURES**
 0 = PLAIN END BELLS, SLEEVE BRG, NO EMI, NOT ROTATED
 A = BLACK END BELLS, SLEEVE BRG, NO EMI, NOT ROTATED
 B = BALL BEARING
 C = EMI/RFI PROTECTION (12 AND 24 VOLT MOTORS ONLY)
 D = FRONT END BELL ROTATED 180°
 E = B AND C
 F = B AND D
 G = C AND D
 H = B, C AND D
 I = CORD
 J = B AND I
 K = B, C AND I
 S THRU Z = CUSTOM (SEE DRAWING)

MOUNTING BRACKET OPTIONS



6 = PART NO.: 50-058-02
 DESCRIPTION: POWDERCOATED STEEL MOUNTING BRACKET
 KIT PART NO.: 25-157
 KIT INCLUDES POWDERCOATED BRACKET, ISOLATORS AND SCREWS

ADDITIONAL OPTIONS (NOT IN MATRIX)

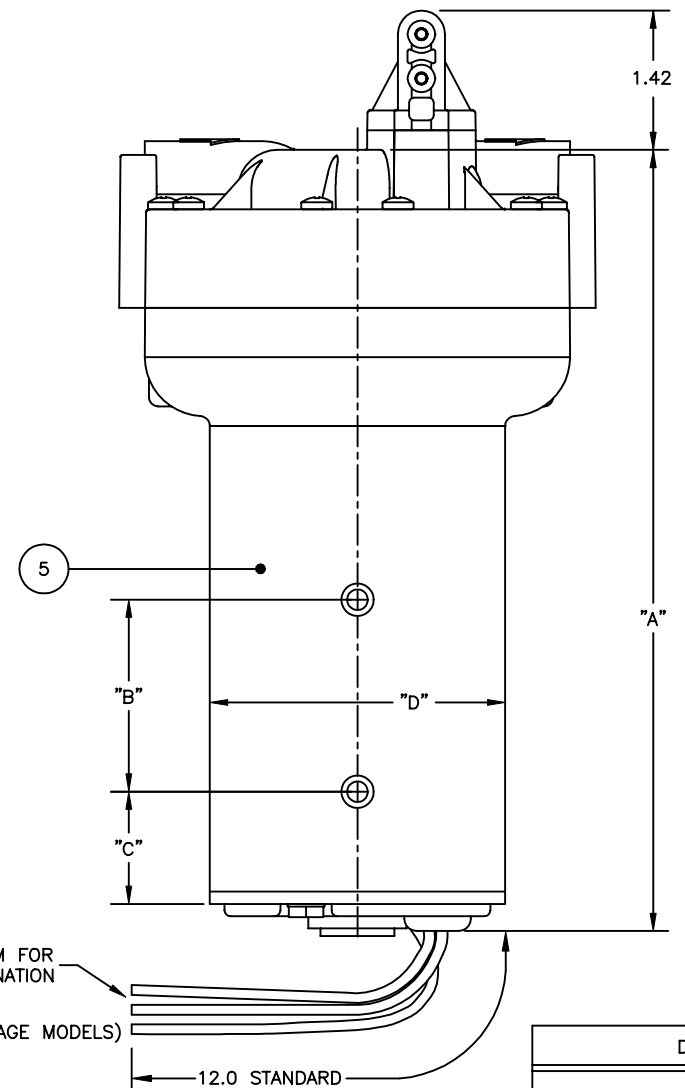
1. QUICK DISCONNECT FITTINGS FOR DDP550

| TERMINATION | STRAIGHT | ELBOW |
|----------------|----------|---------|
| 1/2" HOSE BARB | QBS-554 | QBE-554 |
| 5/8" HOSE BARB | QBS-555 | QBE-555 |
| 3/4" HOSE BARB | QBS-556 | QBE-556 |

2. NPT MALE FITTINGS FOR DDP551

| TERMINATION | STRAIGHT | ELBOW |
|----------------|----------|---------|
| 1/2" HOSE BARB | MPS-554 | MPE-554 |
| 5/8" HOSE BARB | MPS-555 | MPE-555 |
| 3/4" HOSE BARB | MPS-556 | MPE-556 |

3. CHECK VALVE KIT
 PART NO: CVK-553
 KIT INCLUDES CAGE, POPPET, SPRING AND ASSEMBLY INSTRUCTIONS



| DIMENSIONS | | | | |
|------------|------|------|------|-------|
| MOTOR | "A" | "B" | "C" | "D" |
| 1 | 7.25 | 2.35 | 1.35 | Ø3.00 |
| 2 | 8.16 | 3.15 | 1.47 | Ø3.00 |
| 3 | 7.77 | 3.18 | 1.24 | Ø3.15 |

| | | | |
|-----|--------------------------------------|-----------|------|
| 1 | LABEL, DDP 550 SERIES | 40-XXX | 5 |
| 5 | SCREW, #8-32 x 2.0, PAN HD, TORX #20 | 11-133 | 4 |
| 5 | SCREW, #8-32 x 1.5, PAN HD, TORX #20 | 11-132 | 3 |
| 1 | PUMP HEAD ASSEMBLY | 55-XXXX | 2 |
| 1 | MOTOR ASSEMBLY | 70-XXX-XX | 1 |
| QTY | DESCRIPTION | PART NO. | ITEM |

UNLESS OTHERWISE SPECIFIED DIMENSIONS ARE IN INCHES AT 60°F TOLERANCES ARE:
 FRACTIONS: DECIMALS: ANGLES:
 .005 .005 .005
 ±1/64 .01 .010 ±1/2°
 .005 .005

© CONCENTRICITY .005 T.I.R.
 I PERPENDICULARITY .005/IN.
 ANGULAR DIMS FOR CHAMPS & CHAMPS 4:2
 SILENT CORNERS .005 TO .015 R. OR CHAMPS
 FINISH .A4 125 MICRO IN. PER A48 B.1

GEOMETRIC SYMBOLS PER ANSI-Y14.5
 DO NOT SCALE DRAWING

MATERIAL FINISH APPROVALS DATE
 E.G. 4/6/99

DESIGNED CHECKED
 SHEET 1 OF 1

| | |
|--------------|-----------|
| PRODUCT CODE | CAD# 55XX |
| NEXT ASSY | USED ON |
| APPLICATION | |

AQUATEC WATER SYSTEMS INC.
 17422 Pullman St., Irvine, Ca. 92614

MOTOR/PUMP ASSEMBLY MATRIX, 550 SERIES

SIZE SCALE PART/DWG NO. REV
 D NONE 55XX-XXXX-XXXX F