

THE INFORMATION CONTAINED HEREON IS PROPRIETARY AND CONFIDENTIAL TO AQUATEC WATER SYSTEMS, INC. AND SHALL NOT BE USED OR DISCLOSED IN WHOLE OR IN PART WITHOUT FIRST OBTAINING THE WRITTEN PERMISSION OF AQUATEC WATER SYSTEMS, INC.

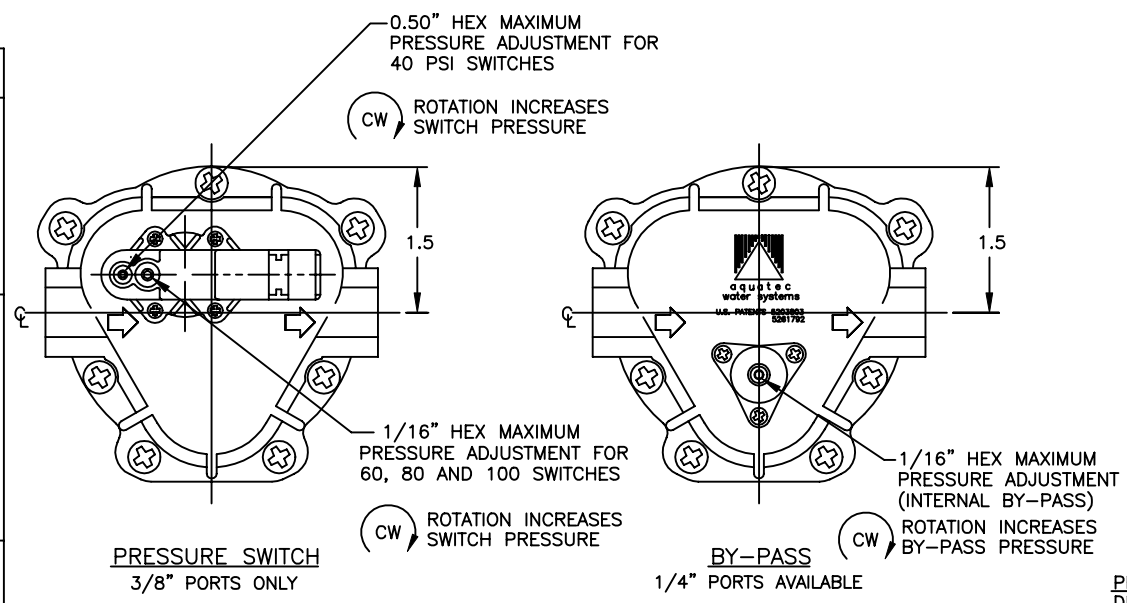
REVISIONS				
REV	DESCRIPTION	DATE	DRAWN	APPROVED
N	ECO #1570, ADD MOTOR FEATURES	10/19/99	E.G.	
P	ECO #1569, UPDATE OPTIONS	11/30/99	E.G.	
R	ECO #1629, UPDATE OPTIONS	01/28/00	M.Z.	

### FITTING OPTIONS

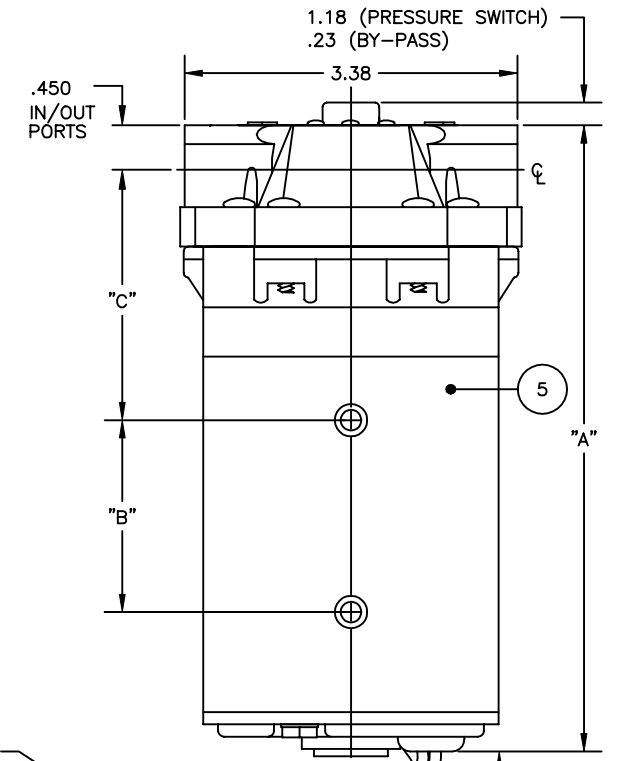
	DESCRIPTION: 3/8" STRAIGHT COMPRESSION FITTING CONNECT TO: 3/8" TUBE PART NO.: 51-172 KIT NO.: 25-145 NOTES: KIT INCLUDES FITTING, GRIPPER NUT, O-RING, AND SCREWS INDIVIDUALLY PACKAGED.
	DESCRIPTION: 3/8" ELBOW COMPRESSION FITTING CONNECT TO: 3/8" TUBE PART NO.: 51-171 KIT NO.: 25-146 NOTES: KIT INCLUDES FITTING, GRIPPER NUT, O-RING, AND SCREWS INDIVIDUALLY PACKAGED.
	DESCRIPTION: 3/8" STEM FITTING CONNECT TO: 3/8" JOHN GUEST PUSH-ON FITTING PART NO.: 51-105 KIT NO.: 25-144 NOTES: FITTING KIT INCLUDES FITTING, O-RING, AND SCREWS INDIVIDUALLY PACKAGED.

### MOUNTING OPTIONS

	DESCRIPTION: SOFT-FLEXIBLE MOUNTING BRACKET PART NO.: 51-109 KIT PART NO.: 25-035 NOTES: FITS
	DESCRIPTION: ALUMINUM MOUNTING BRACKET PART NO.: 50-046 KIT PART NO.: 25-149 NOTES: FITS
	DESCRIPTION: UNIVERSAL MOUNTING BRACKET PART NO.: 51-104 KIT PART NO.: 25-033 NOTES: FITS
	DESCRIPTION: STEEL MOUNTING BRACKET PART NO.: 50-047-01 KIT PART NO.: 25-150 NOTES: STANDARD FITS

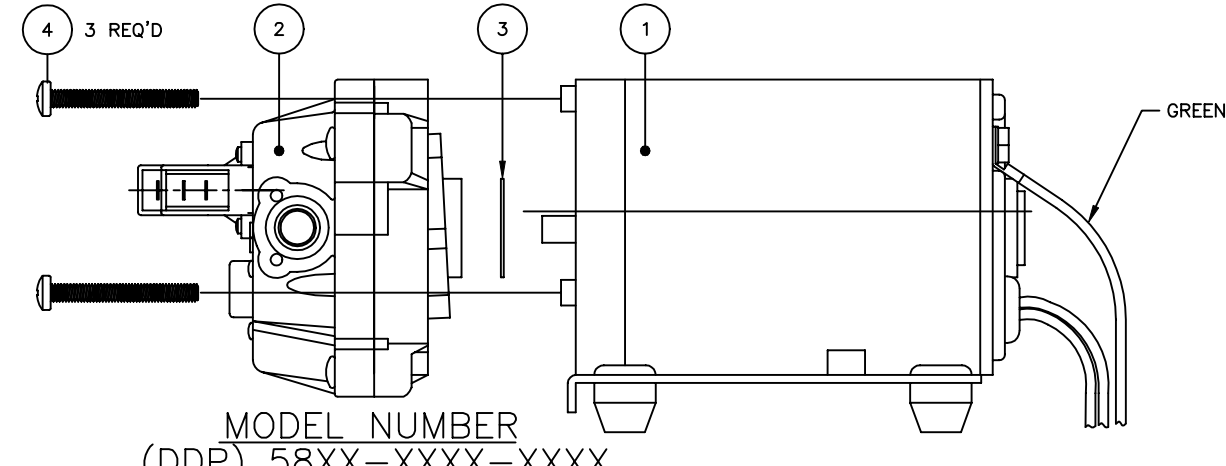
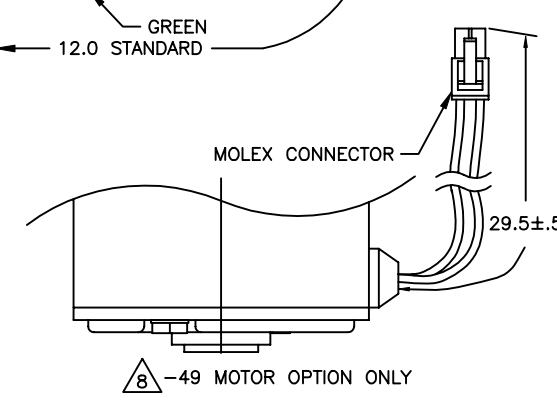


"DIMENSIONS"				
"A"	"B"	"C"	"D"	
6.32	1.95	2.58	3.00	
7.80	3.18	2.56	3.15	
7.28	2.36	2.75	3.00	
6.16	2.34	2.51	3.00	
7.17	2.36	2.75	2.93	
6.28	1.95	2.42	3.00	



SEE INDIVIDUAL BOM FOR ACTUAL TERMINATION

GROUND (HIGH VOLTAGE MODELS)



MODEL NUMBER (DDP) 58XX-XXXX-XXXX

- PRODUCT**  
DDP = INTERMITTENT DUTY PUMP
- SERIES**  
58 = HFO SERIES DELIVERY PUMP  
98 = ENGINEERING SPECIAL
- PORTS**  
2 = OPEN 1/4" (BY-PASS ONLY)  
3 = OPEN 3/8" PORT  
4 = JOHN GUEST 1/4" (BY-PASS ONLY)  
5 = JOHN GUEST 3/8" CARTRIDGE
- CAM**  
0 = 2"  
1 = 2.5"  
2 = 3"  
3 = 3.5"  
4 = 4" (70 PSI MAX)
- PRESSURE CONTROL**  
0 = NO CONTROL (WAIVER REQUIRED)  
1 = PRESSURE SWITCH, ADJUSTABLE  
2 = BY-PASS, ADJUSTABLE  
5 = ADJUSTABLE BY-PASS AND SWITCH (MAXIMUM FLOW COMPONENTS)  
7 = 70 PSI PRESSURE SWITCH LIMIT (MAXIMUM FLOW COMPONENTS)  
8 = 80 PSI BY-PASS LIMIT (MAXIMUM FLOW COMPONENTS)
- PRESSURE SETTING**  
0 = NONE - NO CONTROL  
A = 30 PSI  
B = 40 PSI  
C = 45 PSI  
D = 50 PSI  
E = 60 PSI  
F = 70 PSI  
G = 80 PSI  
H = 90 PSI  
I = 100 PSI  
J = 110 PSI  
K = 120 PSI  
L = 130 PSI  
M = 140 PSI  
N = 150 PSI  
P = 160 PSI  
S = 200 PSI  
T = BY-PASS @ 70 PSI, SWITCH @ 45 PSI  
U = BY-PASS @ 100 PSI, SWITCH @ 55 PSI  
V = 65 PSI  
W = 75 PSI  
1-9 = CUSTOM CONTROLS
- MATERIALS (PUMPHEAD, VALVES, DIAPHRAGM, O-RINGS)**  
0 = NYLON, EPDM, SANTO, NITRILE  
1 = POLYPRO, EPDM, SANTO, NITRILE  
2 = NYLON, SANTO, SANTO, NITRILE  
3 = POLYPRO, SANTO, SANTO, NITRILE  
4 = NYLON, BUNA N, SANTO, NITRILE  
5 = POLYPRO, BUNA N, SANTO, NITRILE  
6 = NYLON, VITON, SANTO, VITON  
7 = POLYPRO, VITON, SANTO, VITON  
8 = NYLON, VITON, GEOLAST, VITON  
9 = POLYPRO, VITON, GEOLAST, VITON  
A-Z = CUSTOM MATERIALS, VITON
- MOUNTING BRACKET**  
0 = NO MOUNTING KIT  
1 = FLEX MOUNT  
2 = ALUMINUM MOUNT  
3 = UNIVERSAL MOUNT  
4 = STEEL MOUNT  
A-Z = CUSTOM MOUNT
- MOTOR**  
 54 = 12 VDC 700 RPM  
 62 = 12 VDC 970 RPM  
 66 = 12 VDC 1600 RPM  
 35 = 12 VDC 2400 RPM  
 49 = 24 VDC 1075 RPM  
 46 = 24 VDC 1130 RPM  
 42 = 24 VAC 870 RPM  
 47 = 24 VAC 1050 RPM  
 48 = 24 VAC 1300 RPM  
 53 = 24 VAC 1500 RPM  
 67 = 36 VDC 420 RPM (58X0 OR 58X1)  
 36 = 100 VAC 2500 RPM  
 39 = 100 VAC 3400 RPM (SPECIAL)  
 57 = 115 VAC 1200 RPM  
 58 = 115 VAC 1600 RPM  
 52 = 115 VAC 2100 RPM  
 60 = 115 VAC 2400 RPM  
 34 = 115 VAC 2500 RPM  
 31 = 115 VAC 3400 RPM (SPECIAL)  
 71 = 230 VAC 1600 RPM  
 70 = 230 VAC 2200 RPM
- MOTOR FEATURES**  
0 = PLAIN END BELLS, SLEEVE BRG, NO EMI, NOT ROTATED  
A = BLACK END BELLS, SLEEVE BRG, NO EMI, NOT ROTATED  
B = BALL BEARING  
C = EMI/RFI PROTECTION (12 AND 24 VOLT MOTORS ONLY)  
D = FRONT END BELL ROTATED 180°  
E = B AND C  
F = B AND D  
G = C AND D  
H = B, C AND D  
I = CORD  
J = B AND I  
K = B, C AND I  
S THRU Z = CUSTOM (SEE DRAWING)
- APPLICATIONS (RECOMMENDED MATERIAL CODE)**  
0 = UNKNOWN (1)  
1 = INDUSTRIAL WATER (0)  
2 = BEVERAGE WATER (1)  
3 = WATER TREATMENT - PRE-FILTER (0)

QTY	DESCRIPTION	PART NO.	ITEM
1	LABEL, DDP 5800 SERIES	40-XXX	5
3	SCREW, #10-32 X 1.5, PHIL. PAN HD.	11-119-01	4
1	WASHER, THRUST	10-230	3
1	PUMP HEAD ASSEMBLY	58-XXXX	2
1	MOTOR ASSEMBLY	70-XXX-00	1

UNLESS OTHERWISE SPECIFIED DIMENSIONS ARE IN INCHES AT 60°F TOLERANCES ARE:  
FRACTIONS: DECIMALS: ANGLES:  
.125 = .003 .001 = .001 .001 = .001  
.125 = .003 .001 = .001 .001 = .001  
.125 = .003 .001 = .001 .001 = .001

PRODUCT CODE	CAD# 58XX.DWG
NEXT ASSY	USED ON
APPLICATION	

**AQUATEC WATER SYSTEMS INC.**  
17422 Pullman St., Irvine, Ca. 92614

**MOTOR/PUMP ASSEMBLY, MATRIX, 5800 SERIES**

APPROVALS: E.G. 7/6/99  
DATE: 7/6/99  
DESIGNED: E.G.  
CHECKED: [ ]  
SHEET: 1 OF 1

SIZE: D SCALE: NONE PART/DWG NO.: 58XX-XXXX-XXXX REV: R